

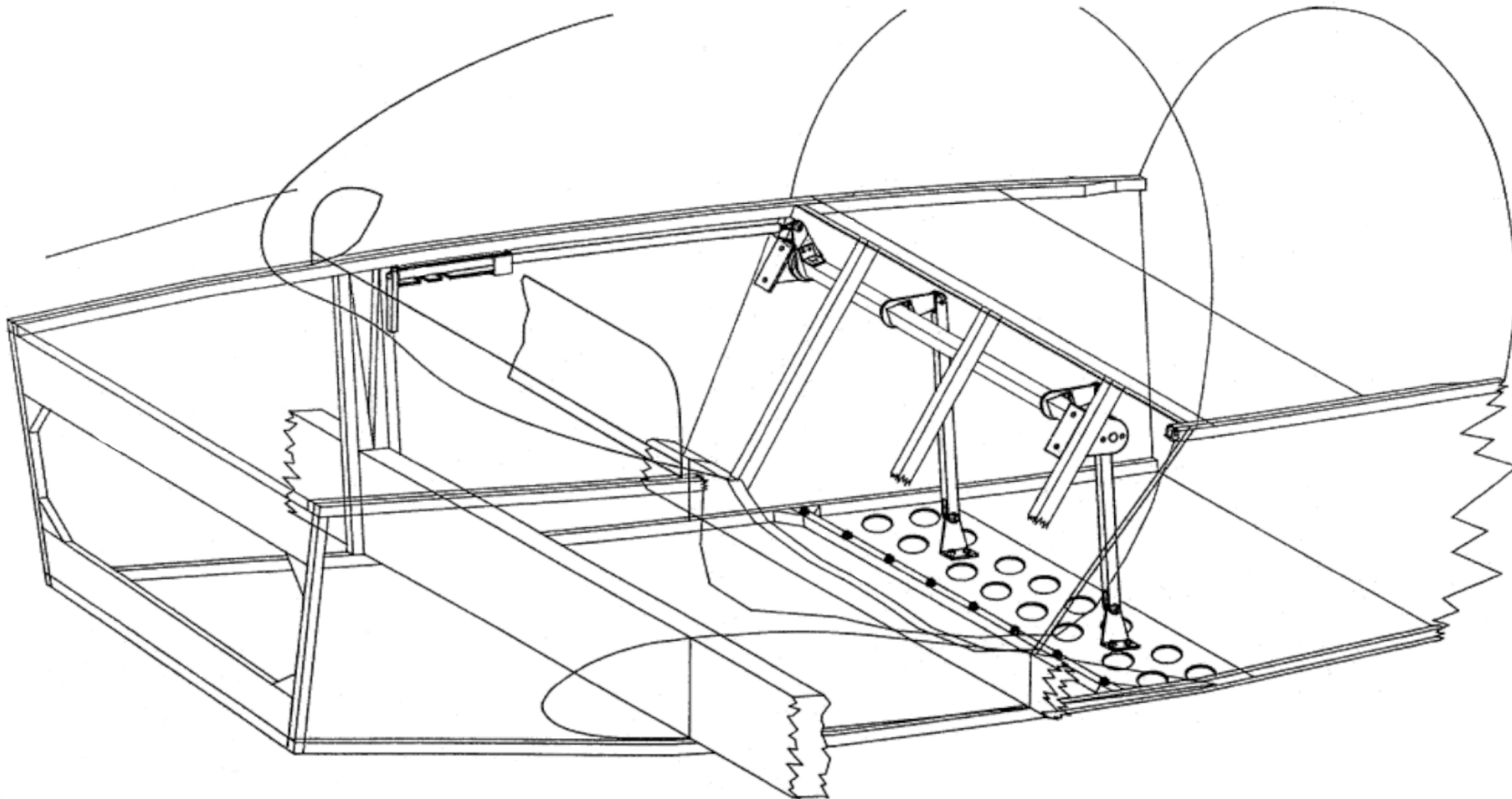
**NOT TOO SCALE**

**FreeBird (KR-2 & KR-2S)**

**Belly Board / Air Brake**

Author : Unknown  
 Compiled by: Michael Griffin  
 Version: 2022/10

(IF know who the author is - please let me know)



**NOT TOO SCALE**

**FreeBird (KR-2 & KR-2S)**

**Belly Board / Air Brake**

Author : Unknown

Compiled by: Michael Griffin

Version: 2022/10

(If you know who the author is - please let me know)

**Forward**

**Aft**

To cockpit control lever

This arm of the bellcrank should be much longer

Seat Backrest

Aft Spar

Reinforcement block for hinge

Hinge

Optional hinge fairing

55°

**NOT TO SCALE**

**FreeBird** (KR-2 & KR-2S)

**Belly Board / Air Brake**

Author :	Unknown
Compiled by:	Michael Griffin
Version:	2022/10

(If know who the author is - please let me know)

